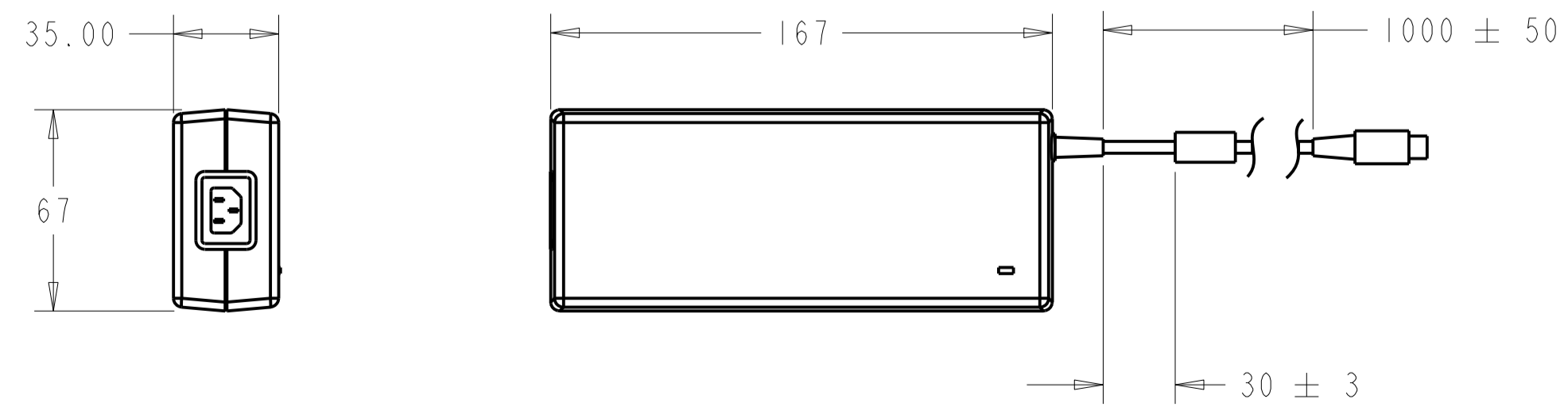
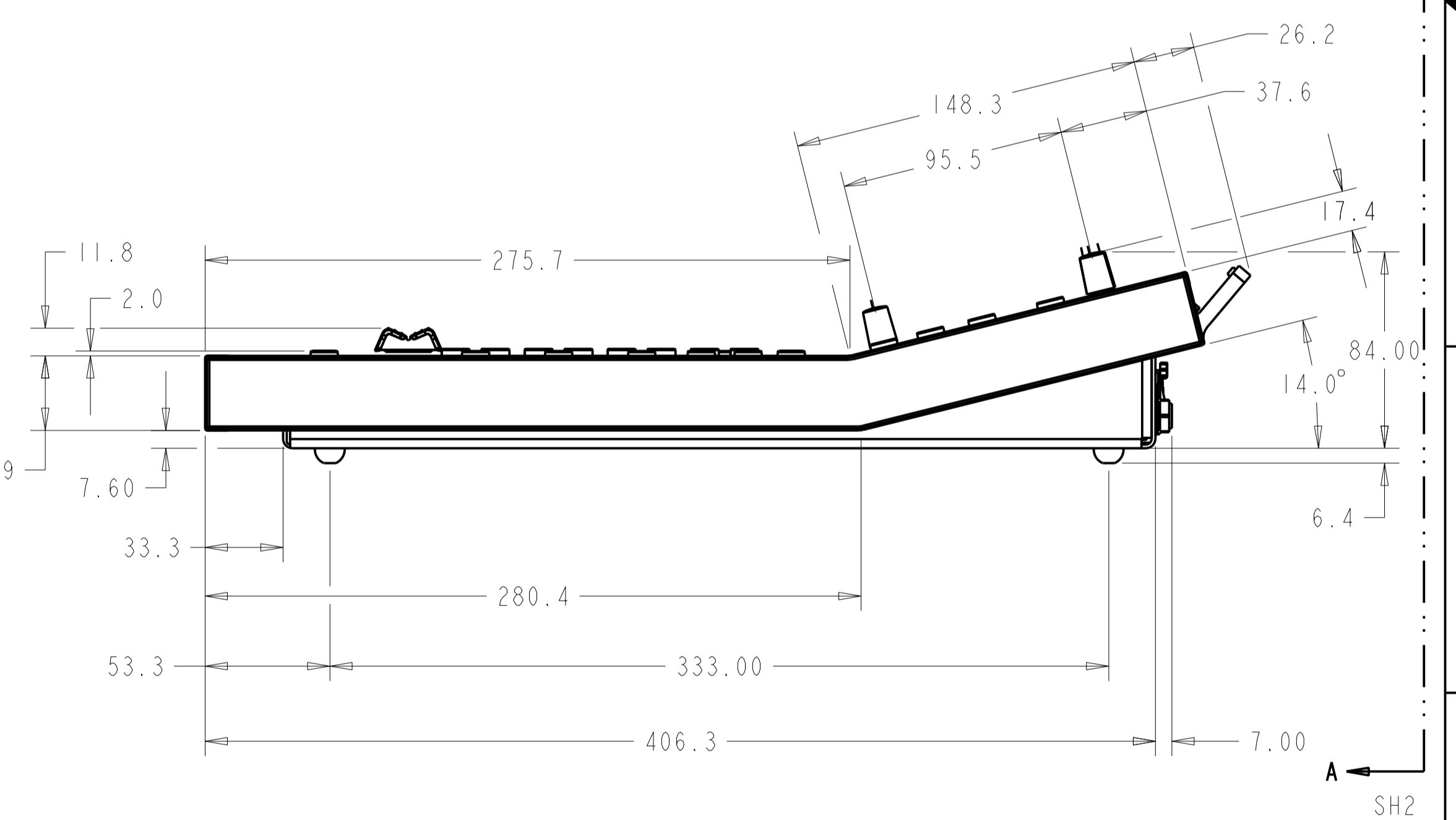
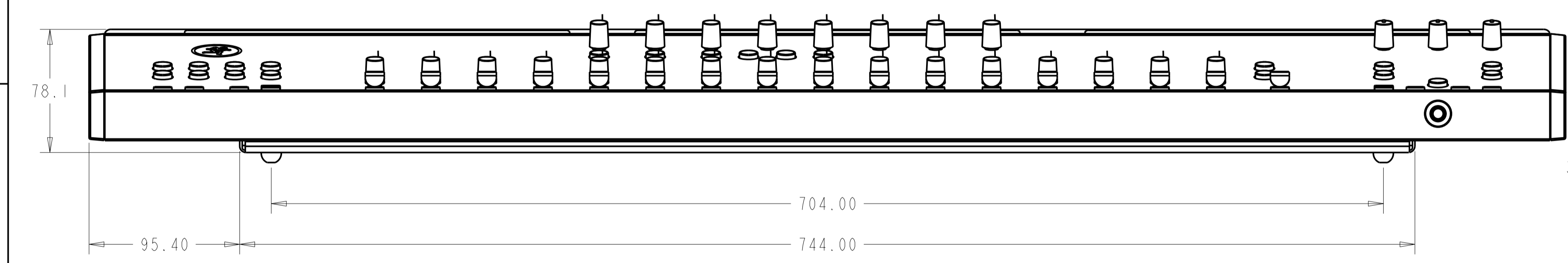
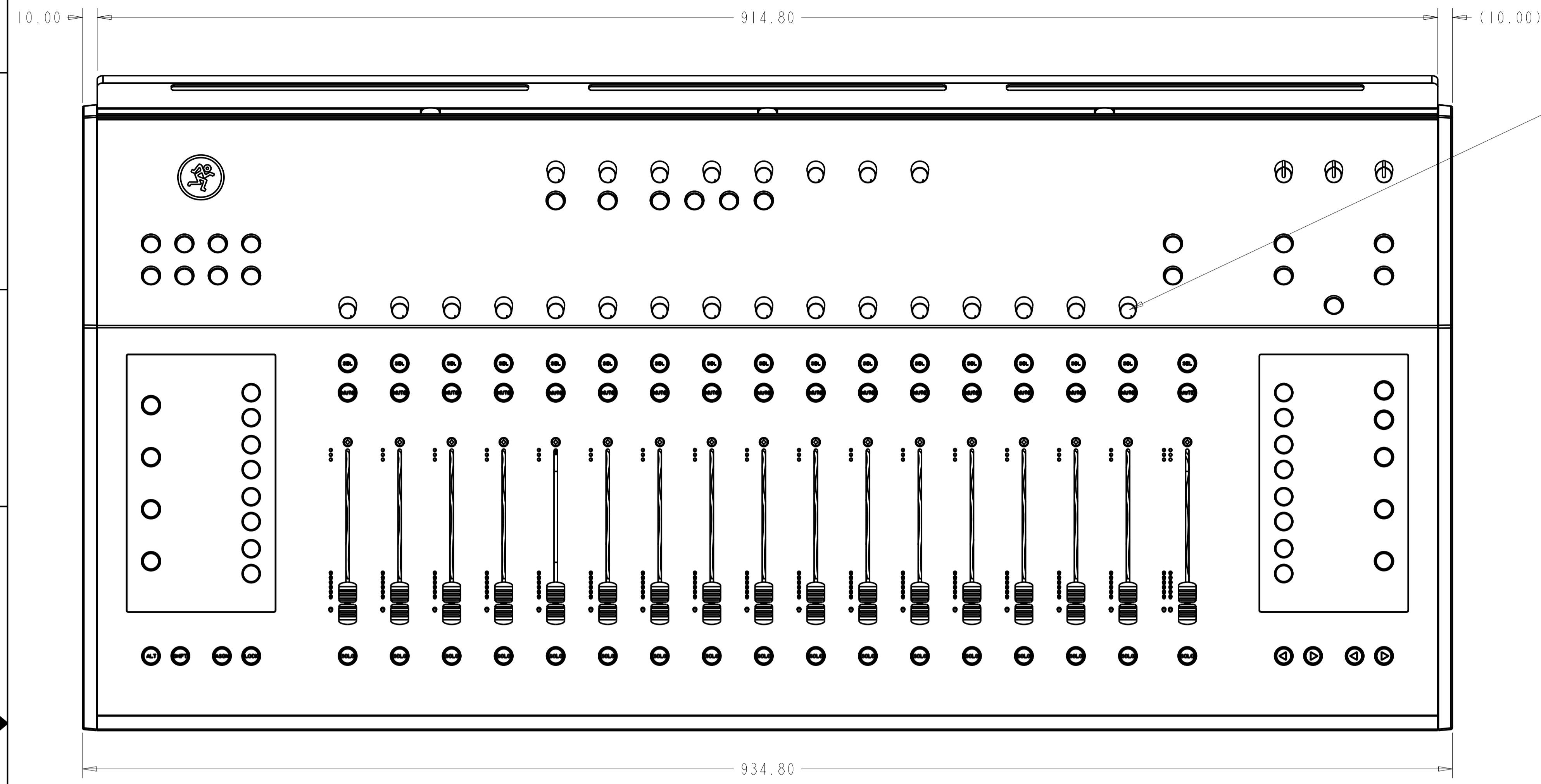


REVISION HISTORY			
REV	ZONE	DESCRIPTION	NOTE
A		PRODUCTION RELEASE	ECOWD19389 JH 2-3-16
B		ADD EXTERNAL POWER SUPPLY	ECOWD19564 JH 4-15-16



EXTERNAL POWER SUPPLY
SCALE 0.500

DIMENSIONS ARE IN MM

DESIGNED BY
CALOS/GLENN

DRAWN BY
CALOS/JEFF

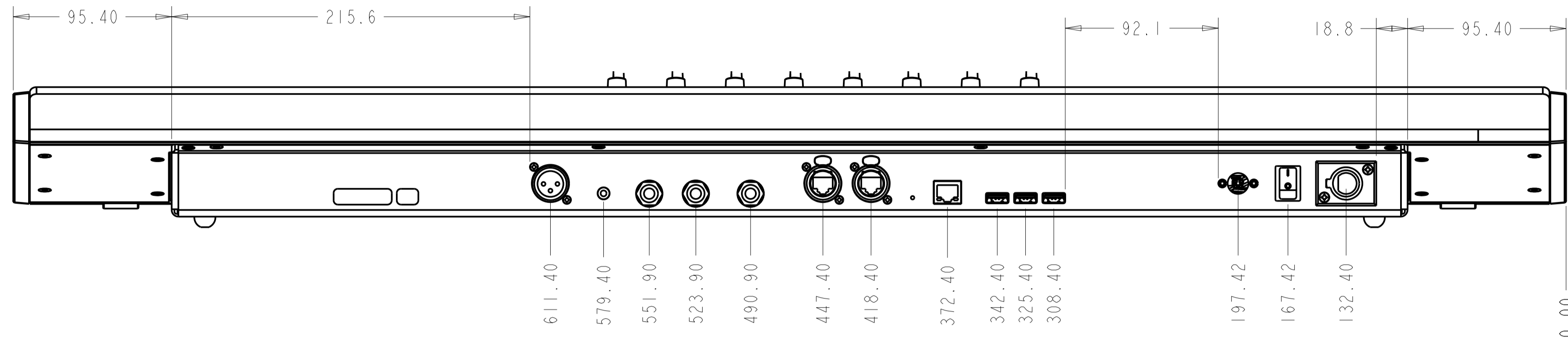
APPROVED BY

THIRD ANGLE PROJECTION

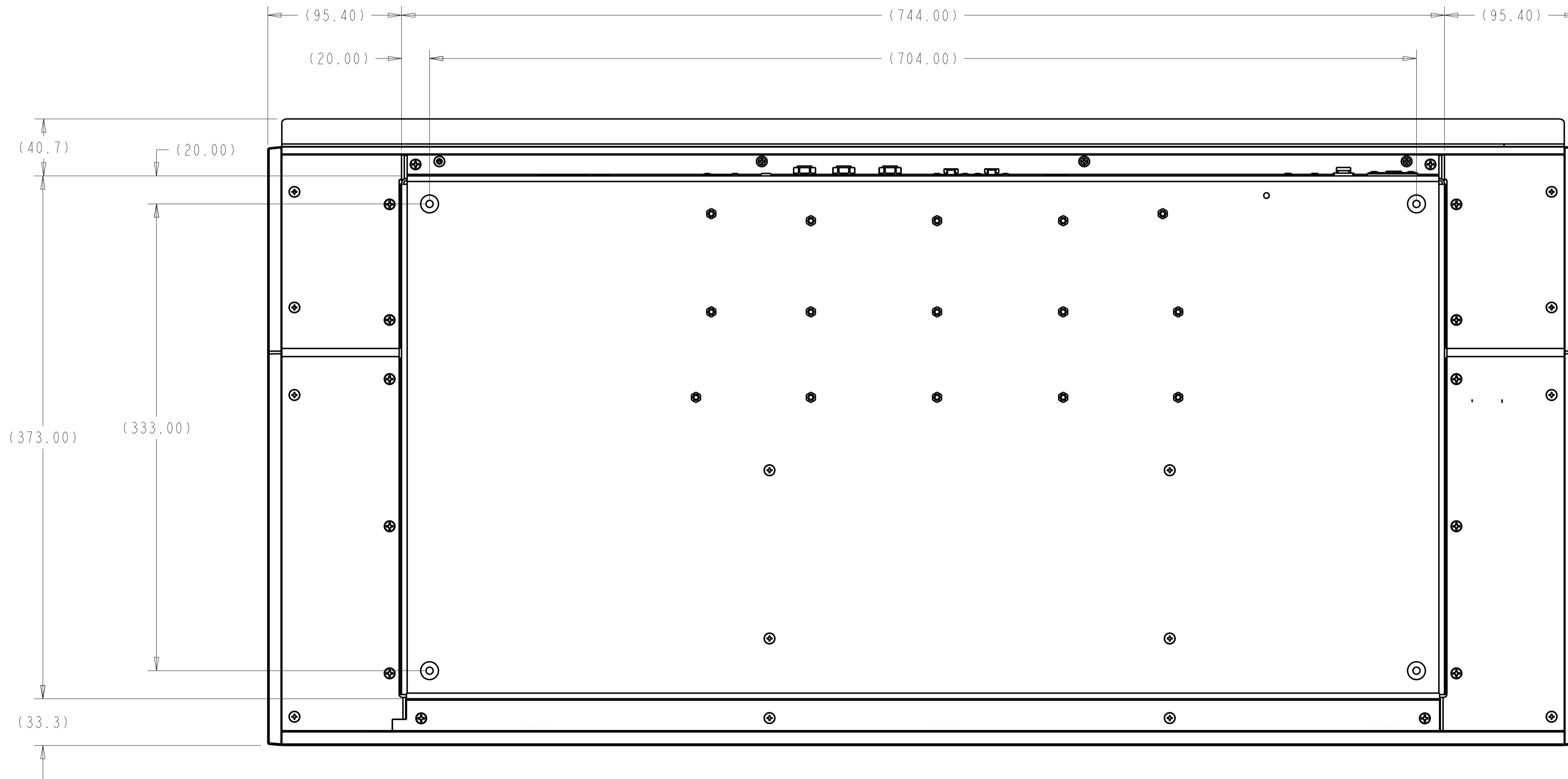
LOUD Technologies Inc.
16220 WOOD RED RD., WOODINVILLE, WA 98072

TITLE
CUSTOMER DRAWING, DC16

SIZE A1	CODE N/A	DRAWING NUMBER 2044185	REV B
SCALE 0.167	FILE 2044185_FINAL.ASS1	SHEET 1	OF 2



VIEW A-A



SIZE	CODE	DRAWING NUMBER	REV
A1	N/A	2044185	B
SCALE	0.167	SHEET	2 OF 2