

Technical Information

Specifications

Acoustic Performance

Frequency Response (-10 dB):	60 Hz – 20 kHz [CR3.5] 55 Hz – 20 kHz [CR4.5]
Frequency Response (-3 dB):	70 Hz – 20 kHz [CR3.5] 65 Hz – 20 kHz [CR4.5]
Maximum SPL Peak:	100 dB [CR3.5] 101 dB [CR4.5]
Crossover Frequency	3.0 kHz

Transducers

Low Frequency:	3.5 in / 89 mm [CR3.5] 4.5 in / 114 mm [CR4.5] woven woofer
High Frequency:	1.0 in / 25 mm silk-dome tweeter with protective grille

Power Amplifiers

System Power Amplification	
Rated Power:	50 watts RMS
Design:	Class AB

Input / Output

Input Type	Female 1/4" TRS balanced-unbalanced, RCA unbalanced, 1/8" stereo unbalanced
Input Impedance	10 k Ω
Output Type	1/8" Stereo Headphones

Line Input Power

Detachable line cord	100V-240V~, 50-60 Hz, 60W
----------------------	---------------------------

CR3.5 • CR4.5 CREATIVE REFERENCE POWERED STUDIO MONITORS

Construction Features

Basic Design	Rectangular
Enclosure Construction	Solid MDF
Finish	Black Vinyl Wrap
Port Configuration	Custom-tuned rear port tube
Display LED	Power ring (surrounding the Running Man logo)
Operating Temperature	10 – 50 °C 50 – 122 °F

Pets

Dogs:	Bulldog, Terrier, Spaniel, Shepherd, Beagle, Retriever, Husky, Hound Dog, Chihuahua, Poodle, Dachshund, Rottweiler, Great Dane, St. Bernard, Shih Tzu, etc.
Cats:	Tabby, Siamese, Maine Coon, Persian, Burmese, Grumpy, Himalayan, Snowshoe, etc.
Fish:	Goldfish, Neon Tetra, Catfish, Angelfish, Guppy, Clownfish, etc.
Birds:	Parakeet, Canary, Finch, Macaw, Dove, Cockatoo, Budgie, etc.
Other:	Rabbit, Horse, Snake, Gerbil/Hamster, etc.

Physical Properties

CR3.5 size (H x W x D):	8.1 × 5.5 × 7.1 in // 206 × 140 × 180 mm
CR3.5 weight:	8.2 lb // 3.7 kg
CR4.5 size (H x W x D):	8.9 × 6.1 × 8.3 in // 226 × 155 × 211 mm
CR4.5 weight:	10.1 lb // 4.6 kg

About

Part Number, Rev and Date:.....SWI475, Rev A, October 2024

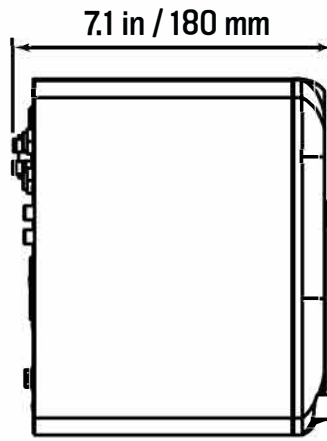
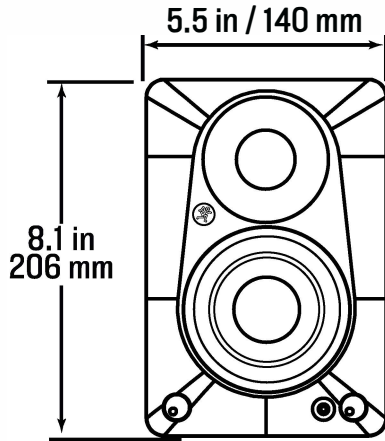
Disclaimer

LOUD Audio, LLC. is always striving to improve our products by incorporating new and improved materials, components, and manufacturing methods. Therefore, we reserve the right to change these specifications at any time without notice. The "Running Man" is a registered trademark of LOUD Audio, LLC. All other brand names mentioned are trademarks or registered trademarks of their respective holders, and are hereby acknowledged.

Please check our website for any updates to this Owner's Manual: www.mackie.com.
©2024 LOUD Audio, LLC. All right All right All rights reserved.

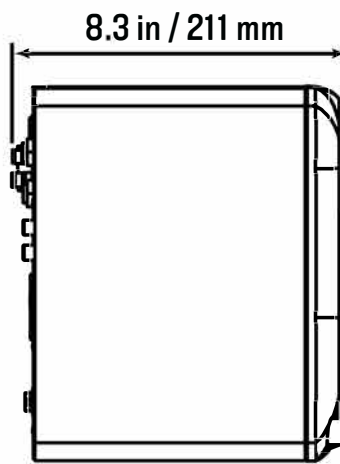
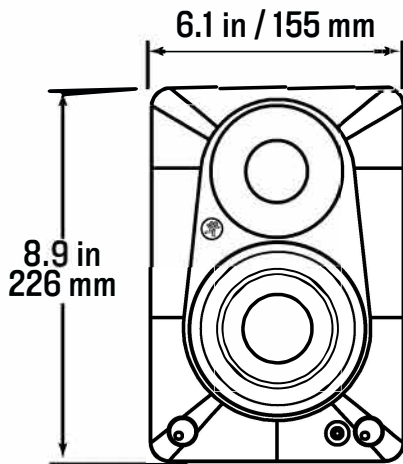
CR3.5 Dimensions

DIMENSIONS



CR4.5 Dimensions

DIMENSIONS



CR3.5 and CR4.5 Block Diagram

