

Technical Information

Specifications

Acoustic Performance

Frequency Response (-10 dB): 30 Hz – 400 Hz
Frequency Response (-3 dB): 37 Hz – 400 Hz
Maximum SPL Peak: 112 dB

Transducers

Low Frequency: 8.0 in / 203 mm
polypropylene woofer

Power Amplifiers

System Power Amplification
Rated Power: 100 watts RMS
Design: Class D

Input / Output

Input Type Female 1/4" TRS balanced-unbalanced,
RCA unbalanced
Input Impedance 10 k Ω balanced/unbalanced
Output Type Female 1/4" TRS balanced-unbalanced,
RCA unbalanced
Output Impedance 300 Ω balanced / 150 Ω unbalanced + pseudo-balanced

Bluetooth Information

Bluetooth Protocol 5.0
Bluetooth Function Audio Streaming

Line Input Power

Detachable line cord 100V-240V~, 50-60 Hz, 150W

CR8SBT CREATIVE REFERENCE POWERED STUDIO SUBWOOFER WITH BLUETOOTH®

Construction Features

Basic Design Rectangular
Enclosure Construction Solid MDF
Finish Black Vinyl Wrap
Port Configuration Custom-tuned bottom shelf port
Display LED Power ring
(surrounding the Running Man logo)
Operating Temperature 10 – 50 °C
50 – 122 °F

Pets

Dogs: Bulldog, Terrier, Spaniel, Shepherd,
Beagle, Retriever, Husky, Hound Dog,
Chihuahua, Poodle, Dachshund, Rottweiler,
Great Dane, St. Bernard, Shih Tzu, etc.
Cats: Tabby, Siamese, Maine Coon,
Persian, Burmese, Grumpy,
Himalayan, Snowshoe, etc.
Fish: Goldfish, Neon Tetra, Catfish,
Angelfish, Guppy, Clownfish, etc.
Birds: Parakeet, Canary, Finch, Macaw,
Dove, Cockatoo, Budgie, etc.
Other: Rabbit, Horse, Snake, Gerbil/Hamster, etc.

Physical Properties

CR8SBT

Size (H x W x D): 14.0 x 12.6 x 16.2 in // 356 x 320 x 411 mm
Weight: 25.4 lb // 11.5 kg

CRDV

Size (H x W x D): 2.0 x 4.3 x 3.2 in // 51 x 110 x 81 mm
Weight: 0.31 lb // 0.14 kg

About

Part Number, Rev and Date:.....SW1477, Rev A, October 2024

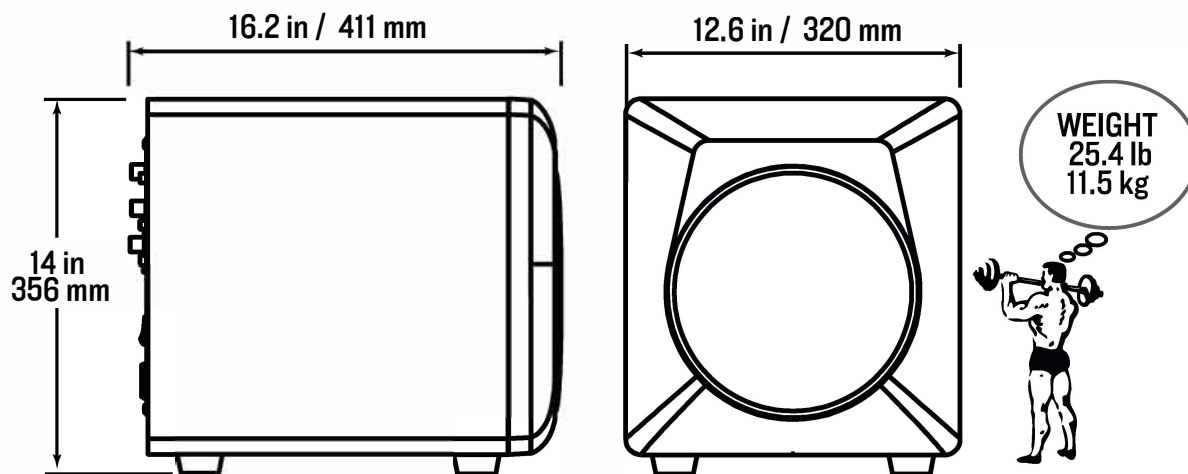
Disclaimer

LOUD Audio, LLC. is always striving to improve our products by incorporating new and improved materials, components, and manufacturing methods. Therefore, we reserve the right to change these specifications at any time without notice. The "Running Man" is a registered trademark of LOUD Audio, LLC. All other brand names mentioned are trademarks or registered trademarks of their respective holders, and are hereby acknowledged.

Please check our website for any updates to this Owner's Manual: www.mackie.com.
©2024 LOUD Audio, LLC. All right All right All rights reserved.

CR8SBT Dimensions

DIMENSIONS



CR8SBT Block Diagram

