

# DL1608

## Rack Mount Kit Installation Instructions

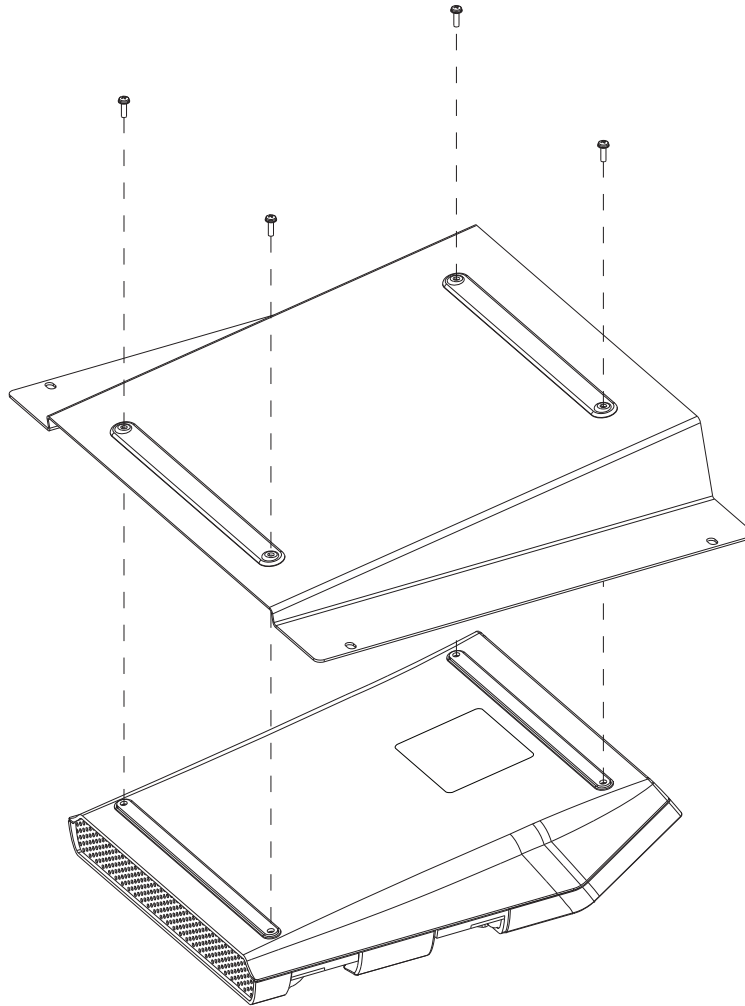
---

This Rack Mount Kit allows the DL1608 to be mounted in a standard 19" rack. It takes up nine rack spaces, but be sure to allow for an extra space or two above to make connections. The kit contains one rack mount bracket and four black screws (M4 x 16mm). A manual Phillips screwdriver is the only tool required for this procedure.

### Procedure:

1. Turn off the DL1608, remove the Apple® iPad® and disconnect all cords. Place the mixer face down on a soft and dry flat surface.
2. Using only the supplied screws, secure the rack mount bracket to the mixer as shown below. Using the manual Phillips screwdriver, tighten the screws only until the lock washer of each screw is seated flush to the metal.

**CAUTION:** Over-torquing the screws could cause damage to the mixer.



3. Offer up the DL1608 to the rack and secure it in place with four rack screws (not supplied). Be sure to use the PadLock included with your DL1608 to ensure that the iPad stays safe and secure during transport with the mixer. Also, remember to leave enough room at the top of the rack to attach the DC power cord and any other connections needed.

Apple and iPad are trademarks of Apple Inc., registered in the U.S. and other countries.

© 2012 LOUD Technologies Inc. All Rights Reserved.

Part No. SW0923 Rev A 02/12



Toll free within U.S. 800-258-6883 • Outside U.S. 425-487-4333  
[www.mackie.com](http://www.mackie.com) • [info@mackie.com](mailto:info@mackie.com)