

# Technical Information

## Onyx USB Interfaces Specifications

### Frequency Response

---

At minimum gain, +4 dBu / -6 dBFS input	
All inputs:	±0.5 dB, 20 Hz – 20 kHz
All outputs:	±0.5 dB, 20 Hz – 20 kHz

### Noise Characteristics (RMS, 10 Hz – 22 kHz)

---

Mic inputs:	<-100 dBFS
Line inputs:	<-100 dBFS
Instrument input:	<-100 dBFS
Line outputs, balanced:	<-85 dBu
Headphone outputs:	<-75 dBu

### Distortion (THD)

---

+4 dBu / -6 dBFS, 1 kHz input, minimum gain	
Mic input:	<0.001%
Line input:	<0.005%
Instrument input:	<0.005%
Line outputs, balanced:	<0.001%
Headphone outputs:	<0.002%

### Maximum Levels (0 dBFS, 1 kHz)

---

Mic input, gain at minimum:	+11 dBu
Line input, gain at minimum:	+24 dBu
Instrument input, gain at minimum:	+24 dBu
Line outputs, volume at maximum:	+10 dBu
Headphone outputs, volume at maximum:	+10 dBu

### Input Type

---

Input type:	Female XLR balanced/ unbalanced Female 1/4" balanced / unbalanced MIDI [Onyx Producer 2•2]
-------------	--

### Output Type

---

Output type:	Female 1/4" balanced / unbalanced MIDI [Onyx Producer 2•2]
--------------	---

### USB

---

Format:	USB 2.0, 24-bit, 192 kHz
---------	--------------------------

### Power Requirements

---

USB Bus Powered:	High-power device (5V, up to 500mA)
------------------	--

### Physical Dimensions and Weight

---

#### Onyx Artist 1•2

Height:	2.0 in / 51 mm
Width:	6.4 in / 163 mm
Depth:	4.5 in / 114 mm
Weight:	1.1 lb / 0.5 kg

#### Onyx Producer 2•2

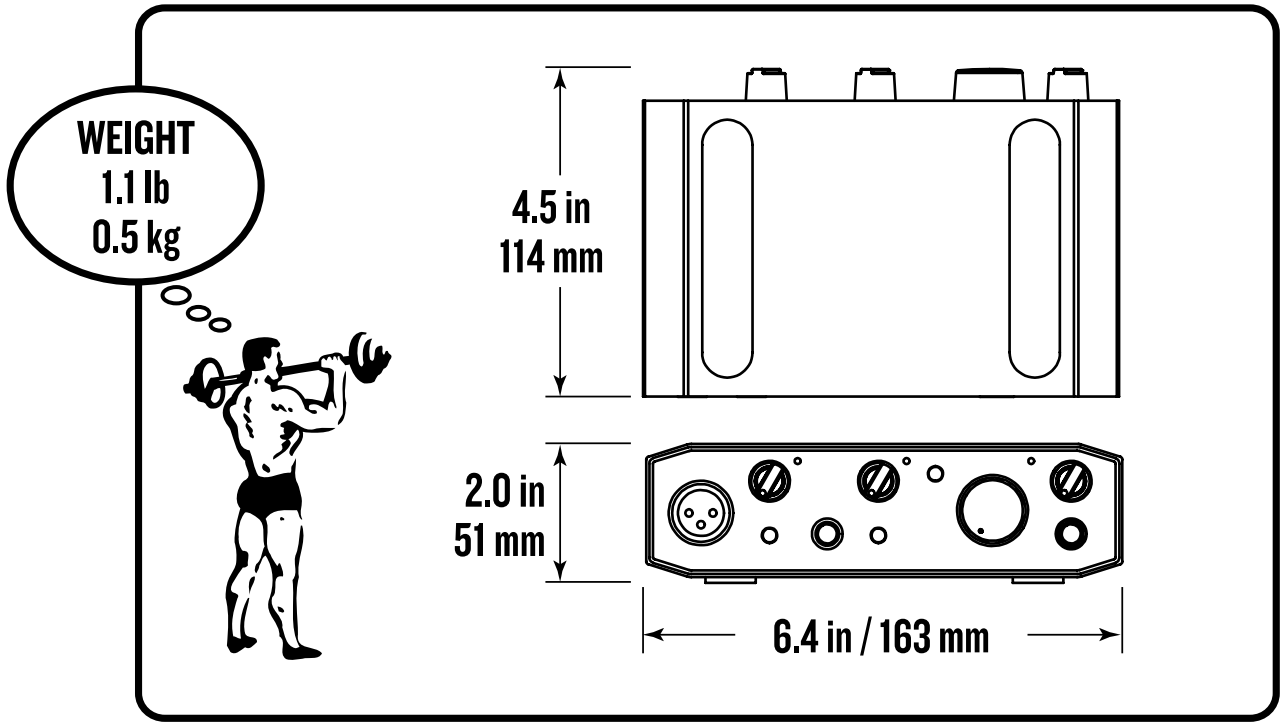
Height:	2.0 in / 51 mm
Width:	7.4 in / 188 mm
Depth:	4.5 in / 114 mm
Weight:	1.4 lb / 0.6 kg

### Disclaimer

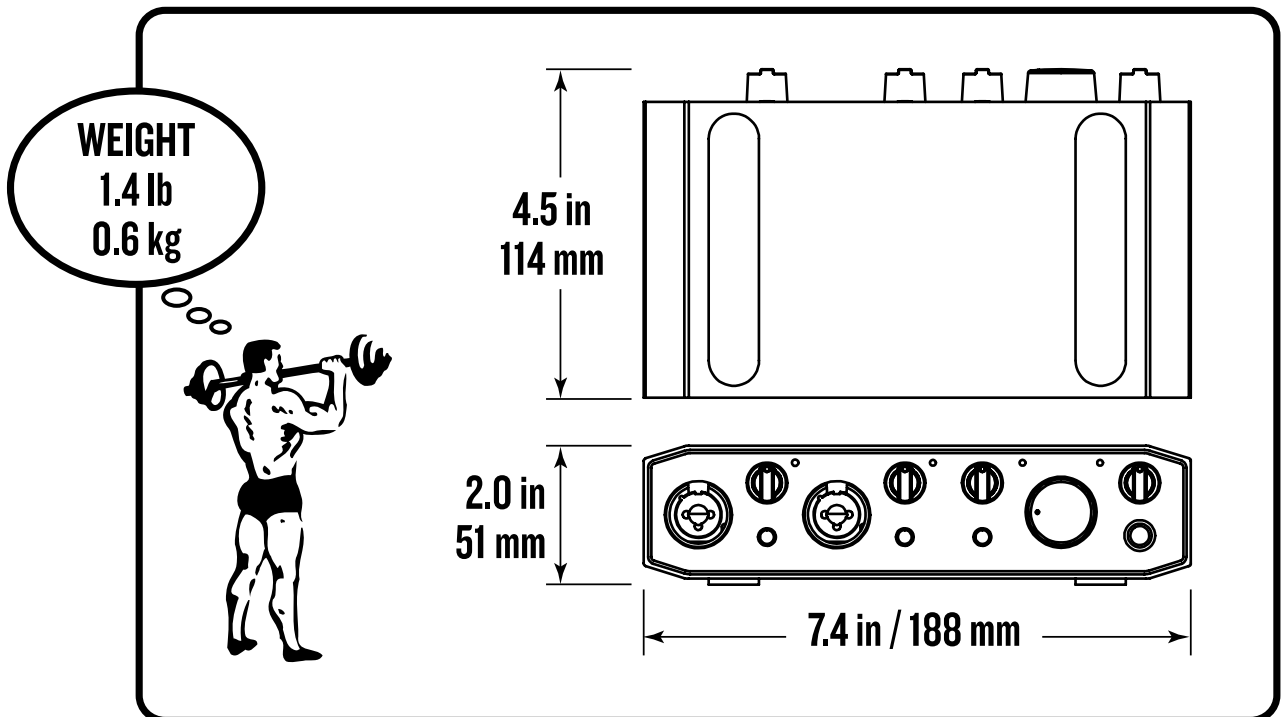
---

LOUD Technologies is always striving to improve our products by incorporating new and improved materials, components and manufacturing methods. Therefore, we reserve the right to change these specifications at any time without notice.

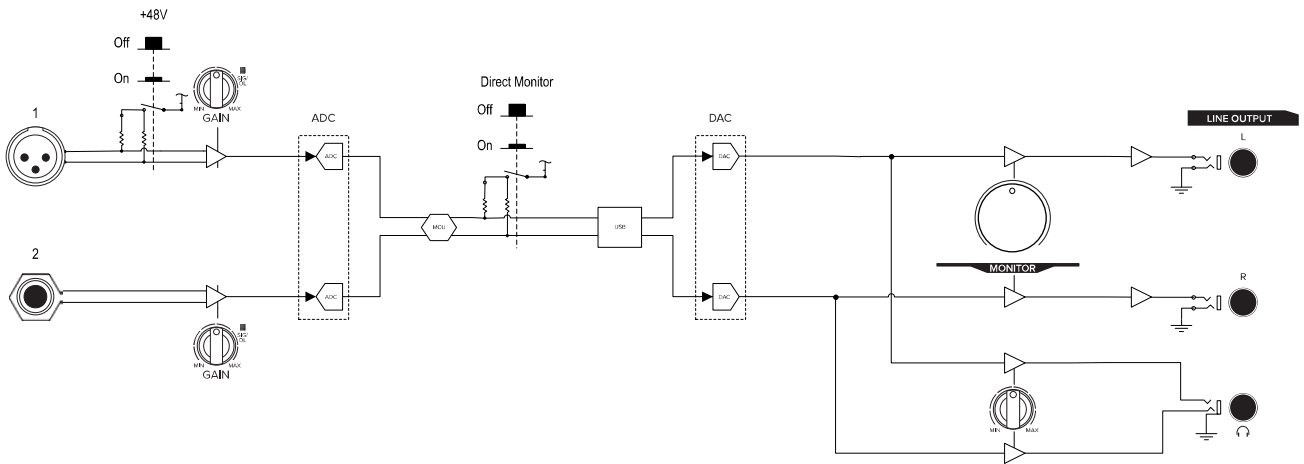
### Onyx Artist 1•2 Dimensions



### Onyx Producer 2•2 Dimensions



## Onyx Artist 1•2 Block Diagram



## Onyx Producer 2•2 Block Diagram

