

iPad mini Tray Kit Installation Instructions

IMPORTANT!

The contents of this kit allow you to replace the iPad tray insert currently installed on the DL806 or DL1608 mixer with an iPad mini tray insert. Before installing, ensure that you have the right iPad, docking connector and tray insert for your combination. See the **iPad to DL Compatibility Matrix** for the latest information:
<http://www.mackie.com/products/dlseries/specs>

Please first read these instructions carefully to ensure you feel capable of completing the described tasks. Failure to follow the exact instructions in this document may result in personal injury or damage to the DL806, DL1608, iPad, or contents of the kit and may **void the warranty**, as well.

Web: <http://www.mackie.com/support>

Email: techmail@loudtechinc.com

Phone: 425-487-4333

Toll-free: 800-898-3211

Parts

iPad mini Tray Kit Contents – Part No. 2042302:

iPad mini Tray Insert – Part No. 2041787

iPad mini Tray PadLock – Part No. 2041875

Tamper-resistant Key – Part No. 0031009-011

This instruction sheet – Part No. 2042319

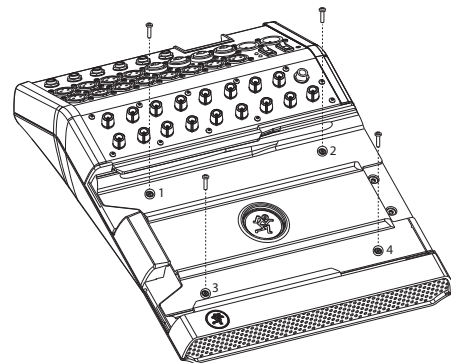
Tools

Required Tools (not included):

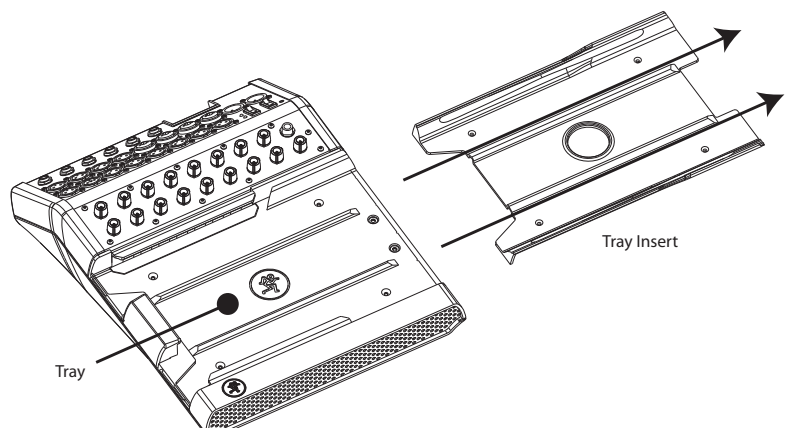
#1 Phillips screwdriver

iPad Tray Insert Removal

1. Remove the four screws holding the tray insert to the mixer, numbered 1 to 4 in the illustration below. Keep the screws in a safe place, as you will use them again.

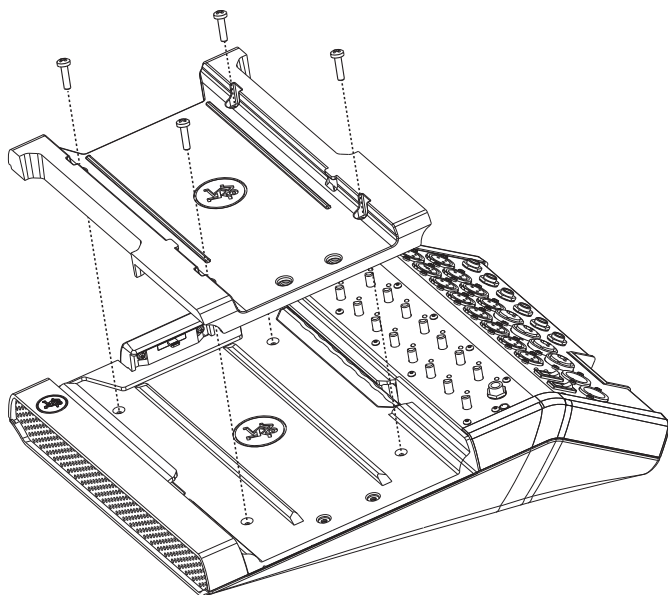


2. Remove the tray insert from the mixer and save it somewhere safe! You might need to use it again.



iPad mini Tray Insert Install

1. Place the iPad mini tray insert on top of the mixer, making sure to line up the sides and the screw holes.
2. Place the screws back into the DL mixer from where you just removed them to hold the iPad mini tray insert into place. Screw them into place, but do not overtighten. If the iPad fit is too tight, loosen all four screws, then tighten the ones closest to the connector first.



LOUD Technologies Inc. • 16220 Wood-Red Road NE
Woodinville • WA • 98072 • 800/258-6883
Outside the U.S. call 425/487-4333 • FAX 425/487-4337

Part No. SW0989 Rev C 02/14
© 2014 LOUD Technologies Inc. All Rights Reserved.

Disclaimer: LOUD Technologies Inc. continually engages in research related to product improvement. New material, production methods, and design refinements are introduced into existing products without notice as a routine expression of that philosophy. For this reason, any current LOUD Technologies Inc. product may differ in some respect from its published description, but will always equal or exceed the original design specifications unless otherwise stated.